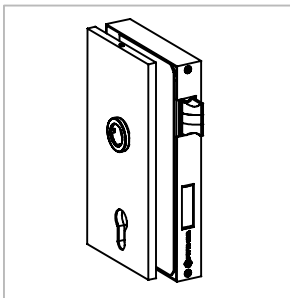


Technische Daten:
Office Glastürschloss - MARELLE

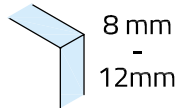
Datasheet:
Office glass door lock - MARELLE

Art. 77452940001-12
Art. 77452940001-26

Stand 05.2022



Ausführung:
Options:



DIN rechts/right



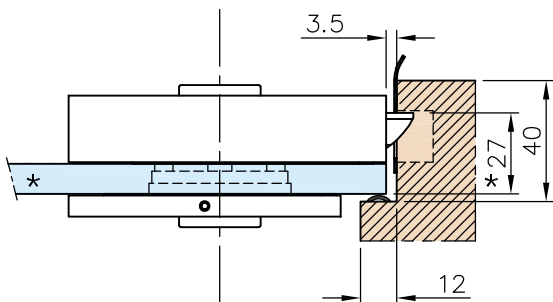
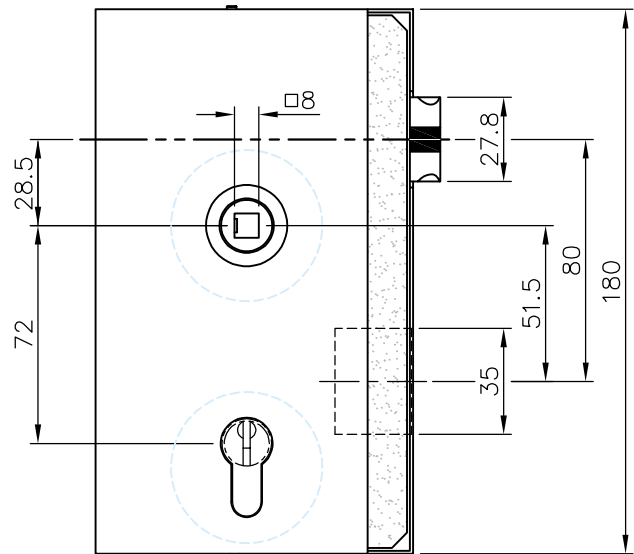
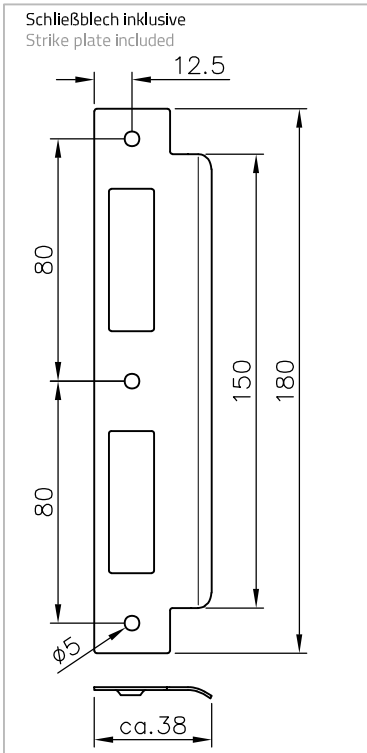
für:/for:
Profilzylinder
Profile cylinder

Material: V2A
Material: Stainless steel AISI 304

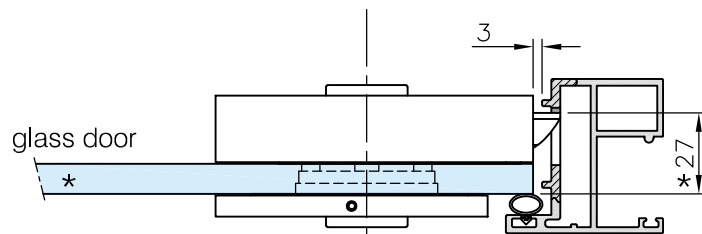
Gewicht: / Weight: 0,615 kg

Oberflächen:
Finish: Edelstahl-Design
Stainless steel design

Anthrazit-Design
Anthracite design



example wooden door frame

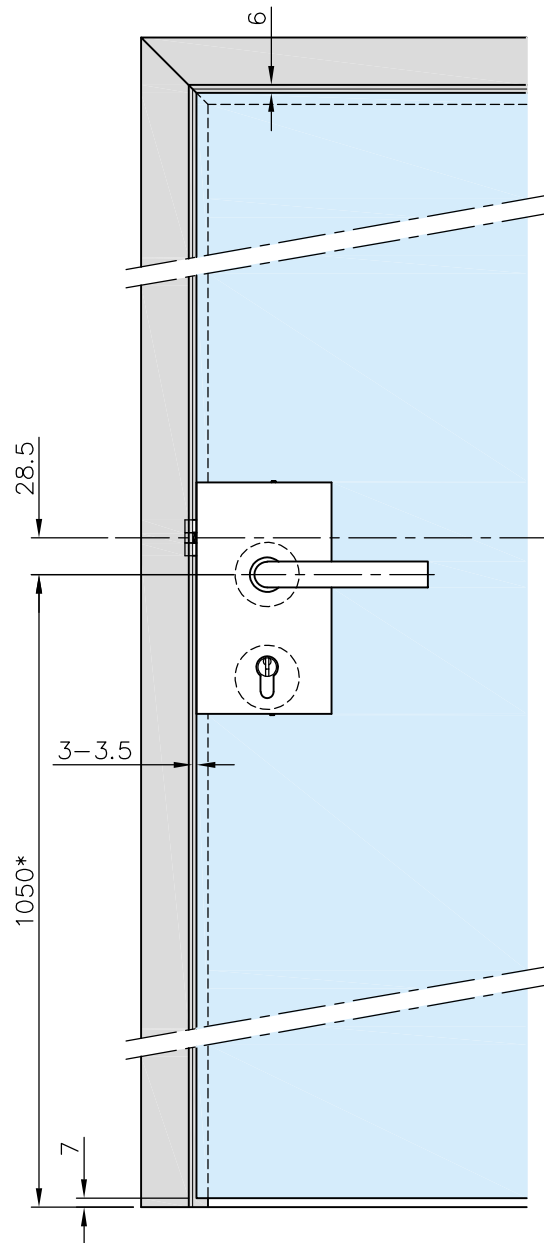
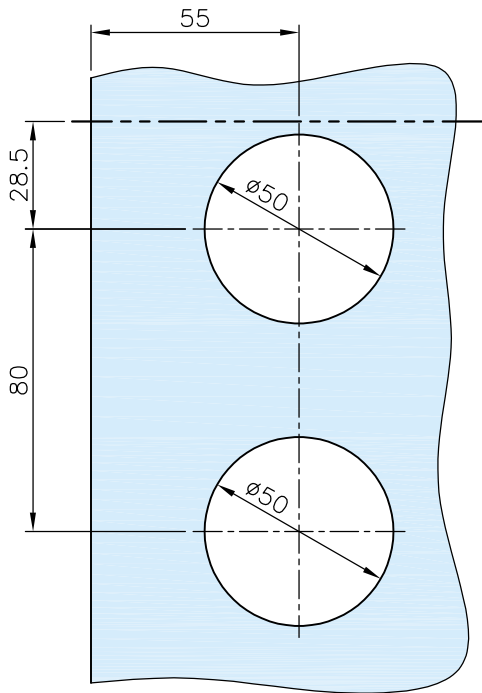


aluminium door frame
art.: 77495252....

*drawing shows
10mm glass

Art. 77452940001-12
 Art. 77452940001-26

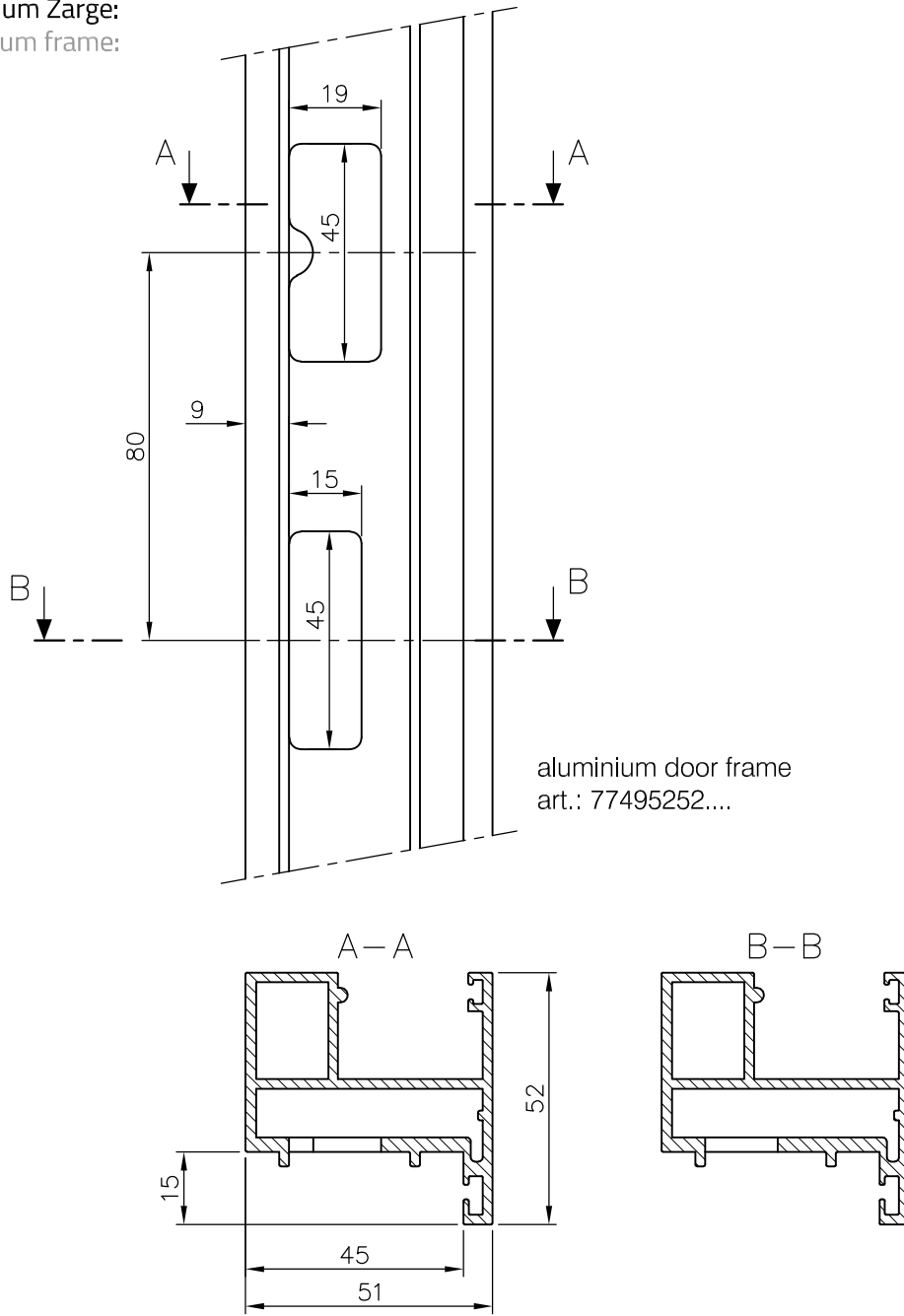
Glasbearbeitung:
 Glass preparation:



*Empfohlene Türdrücker Höhe
 *Recommended door handle height

Art. 77452940001-12
 Art. 77452940001-26

Detail Aluminium Zarge:
 Detail aluminium frame:



G-FITTINGS GmbH

Marie-Curie-Straße 16-18
 46446 Emmerich am Rhein
 T +49 (0)2822 962 0
 F +49 (0)2822 962 221
 E sales@g-fittings.com